



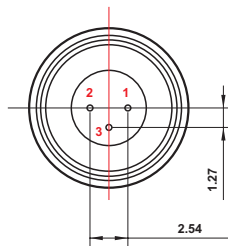
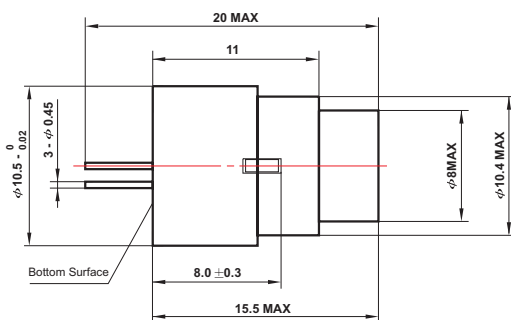
Key Features:

- ▶ Low Noise
- ▶ Mini Size
- ▶ Auto Power Control Function
- ▶ High Reliability
- ▶ Low Cost

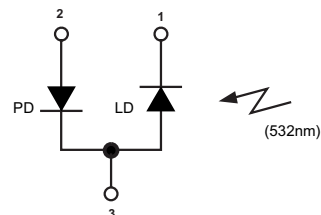
Applications:

- ▶ Biotechnology
- ▶ Laser Display
- ▶ Laser Printing
- ▶ Wafer Inspecting

Specifications	GLD-6005L	GLD-7020L	GLD-7050L
CW Output Power (typ)	5mW	20mW	50mW
Wavelength (Typ)	532nm		
Beam Mode	TEM ₀₀		
Mode Quality (M ²)	<1.2		
Beam Roundness	>80%	>90%	>90%
RMS Noise (20Hz~20MHz) (At setting temperature point +/-1.5°C)	<0.5%		
Power Stability (APC, over two hours at case temperature +/-0.3°C after warm up)	<5%		
Beam Divergence (Full angle, typ)	6.5mrad	7mrad	8mrad
Beam Waist Location (Relative to bottom surface)	8.0 ± 0.3mm		
Beam Alignment Tolerance	Position (Δ r)	<0.3mm	
	Angle	<15mrad	
Linear Polarization	Linear >100:1		
LD Operating Voltage	<2.0v	<2.3v	<2.3v
LD Operating Current (Max)	300mA	600mA	600mA
Residual IR	<1%	<0.2%	<0.2%
Operating Humidity	5%~85%		
Storage Temperature	-40~+85°C		
Shock	1000g		
Photo Diode (532nm)	Internal Included		
Package Size	Φ 10.5 × 15.5mm		



Package Drawing (Unit:mm)



Pin Configurations : 1. LD Cathode 2. PD Anode 3. COM *
 Note: * LD Anode and PD Cathode

Bottom View